

CT4000 Level 2 Commercial Charging Stations

Specifications and Ordering Information

Ordering Information

Specify model number followed by the applicable code(s).
 The order code sequence is: **Model-Options. Warranty** and **Misc** are ordered as a separate line item.

Description		Order Code
Model	6' Single Port Bollard Mount	CT4011
	6' Dual Port Bollard Mount	CT4021
	6' Single Port Wall Mount	CT4013
	6' Dual Port Wall Mount	CT4023
	8' Dual Port Bollard Mount	CT4025
	8' Dual Port Wall Mount	CT4027
Options	Integral Gateway Modem - USA	-GW1
	Integral Gateway Modem - Canada	-GW2
Misc	Power Management Kit	CT4000-PMGMT
	Bollard Concrete Mounting Kit	CT4001-CCM
Warranty	ChargePoint Assure	CT4000-ASSURE n *

*Substitute n for the duration of the additional coverage (1, 2, 3, or 4 years)

Order Code Examples

If ordering this	the order code is
Dual Port Bollard Mount USA Gateway Station with Concrete Mounting Kit	CT4021-GW1 CT4001-CCM
Single Port Wall Mount Station with 4 Additional Years of Assure Coverage	CT4013 CT4000-ASSURE4
Dual Port Wall Mount Canada Gateway Station with 2 Additional Years of Assure Coverage	CT4023-GW2 CT4000-ASSURE2

Note: All CT4000 stations come with 1 year of ChargePoint Assure coverage at no charge.

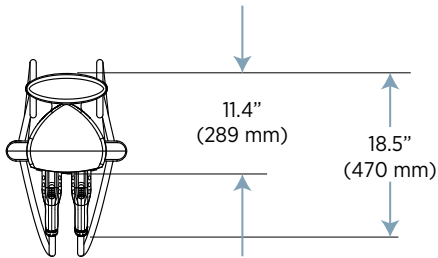
Recommended Companion Products

Description	Order Code
ChargePoint Commercial Service Plan, 3-year Subscription	CTSW-SAS-COMM-3
Station Initial Activation	CPSUPPORT-ACTIVE
Station Management Service, 3-year Subscription	CPSUPPORT-MGMT3

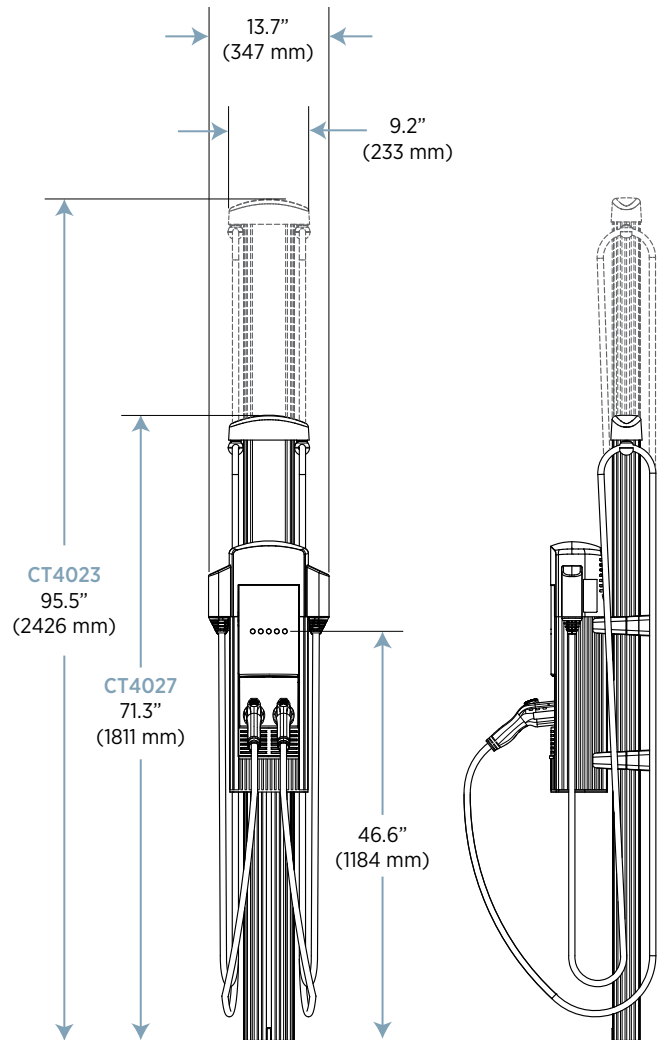
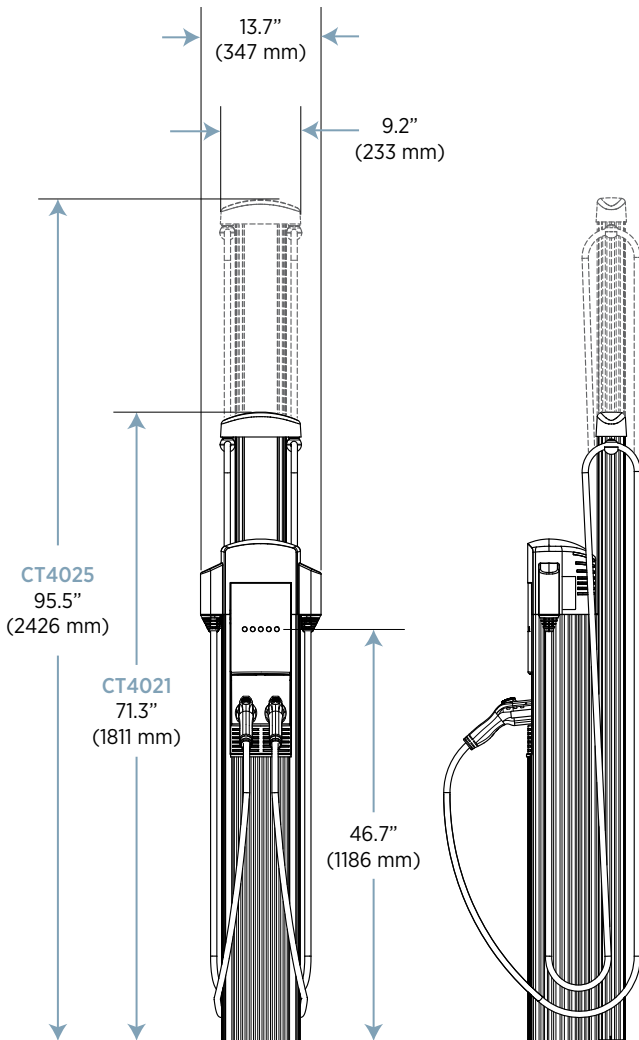
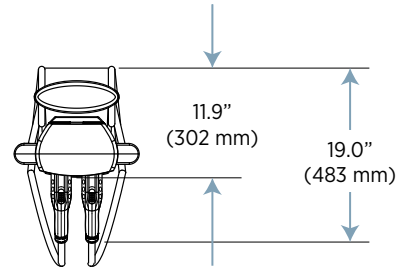


CT4021 bollard station with 6' cable management

CT4021 (6') and CT4025 (8') Bollard



CT4023 (6') and CT4027 (8') Wall Mount



CT4000 Family Specifications

Electrical Input	Single Port (AC Voltage 208/240VAC)			Dual Port (AC Voltage 208/240VAC)		
	Input Current	Input Power Connection	Required Service Panel Breaker	input Current	Input Power Connection	Required Service Panel Breaker
Standard	30A	One 40A branch circuit	40A dual pole (non-GFCI type)	30A x 2	Two independent 40A branch circuits	40A dual pole (non-GFCI type) x 2
Standard Power Share	n/a	n/a	n/a	32A	One 40A branch circuit	40A dual pole (non-GFCI type)
Power Select 24A	24A	One 30A branch circuit	30A dual pole (non-GFCI type)	24A x 2	Two independent 30A branch circuits	30A dual pole (non-GFCI type) x 2
Power Select 24A Power Share	n/a	n/a	n/a	24A	One 30A branch circuit	30A dual pole (non-GFCI type)
Power Select 16A	16A	One 20A branch circuit	20A dual pole (non-GFCI type)	16A x 2	Two independent 20A branch circuits	20A dual pole (non-GFCI type) x 2
Power Select 16A Power Share	n/a	n/a	n/a	16A	One 20A branch circuit	20A dual pole (non-GFCI type)
Service Panel GFCI	Do not provide external GFCI as it may conflict with internal GFCI (CCID)					
Wiring - Standard	3-wire (L1, L2, Earth)			5-wire (L1, L1, L2, L2, Earth)		
Wiring - Power Share	n/a			3-wire (L1, L2, Earth)		
Station Power	8W typical (standby), 15W maximum (operation)					

Electrical Output

Standard	7.2kW (240VAC @ 30A)	7.2kW (240VAC@30A) x 2
Standard Power Share	n/a	7.2kW (240VAC@30A) x 1 or 3.8kW (240VAC@16A) x 2
Power Select 24A	5.8kW (240VAC@24A)	5.8kW (240VAC@24A) x 2
Power Select 24A Power Share	n/a	5.8kW (240VAC@24A) x 1 or 2.9kW (240VAC@12A) x 2
Power Select 16A	3.8kW (240VAC@16A)	3.8kW (240VAC@16A) x 2
Power Select 24A Power Share	n/a	3.8kW (240VAC@16A) x 1 or 1.9kW (240VAC@8A) x 2

Functional Interfaces

Connector(s) Type	SAE J1772™	SAE J1772™ x 2
Cable Length - 6' Cable Management	18' (5.5 meters)	18' (5.5 meters) x 2
Cable Length - 8' Cable Management	n/a	23' (7 meters)
Overhead Cable Management System	Yes	
LCD Display	5.7" full color, 640x480, 30fps full motion video, active matrix, UV protected	
Card Reader	ISO 15693, ISO 14443, NFC	
Locking Holster	Yes	Yes x 2

Safety and Connectivity Features

Ground Fault Detection	20mA CCID with auto retry
Open Safety Ground Detection	Continuously monitors presence of safety (green wire) ground connection
Plug-Out Detection	Power terminated per SAE J1772™ specifications
Power Measurement Accuracy	+/- 2% from 2% to full scale (32A)
Power Report/Store Interval	15 minute, aligned to hour
Local Area Network	2.4 GHz Wi-Fi (802.11 b/g/n)
Wide Area Network	3G GSM, 3G CDMA


Safety and Operational Ratings

Enclosure Rating	Type 3R per UL 50E
Safety Compliance	UL listed for USA and cUL certified for Canada; complies with UL 2594, UL 2231-1, UL 2231-2, and NEC Article 625
Surge Protection	6kV @ 3000A. In geographic areas subject to frequent thunder storms, supplemental surge protection at the service panel is recommended.
EMC Compliance	FCC Part 15 Class A
Operating Temperature	-22°F to 122°F (-30°C to +50°C)
Storage Temperature	-22°F to 140°F (-30°C to +60°C)
Non-Operating Temperature	-40°F to 140°F (-40°C to +60°C)
Operating Humidity	Up to 85% @ 122°F (+50°C) non-condensing
Non-Operating Humidity	Up to 95% @ 122°F (+50°C) non-condensing
Terminal Block Temperature Rating	221°F (105°C)
Maximum Charging Stations per 802.11 Radio Group	10. Each station must be located within 150 feet "line of sight" of a gateway station.

ChargePoint, Inc. reserves the right to alter product offerings and specifications at any time without notice, and is not responsible for typographical or graphical errors that may appear in this document.

Contact Us

To order your CT4000 charging station:

 Call +1.408.841.4500 or +1.877.370.3802 (US toll free)

 Email sales@chargepoint.com



ChargePoint, Inc.
 254 East Hacienda Avenue | Campbell, CA | 95008-6617 USA
 +1.408.841.4500 or toll free +1.877.370.3802
chargepoint.com

Copyright © 2015 ChargePoint, Inc. All rights reserved. CHARGEPOINT is a U.S. registered trademark/service mark, and an EU registered logo mark of ChargePoint, Inc. All other products or services mentioned are the trademarks, service marks, registered trademarks or registered service marks of their respective owners. DS-CT4000-01. April 2015. PN 73-001020-01-7.

Printed on paper made with 100% post-consumer fiber and 100% certified renewable energy, and processed chlorine free.



Listed by Underwriters Laboratories Inc. 